



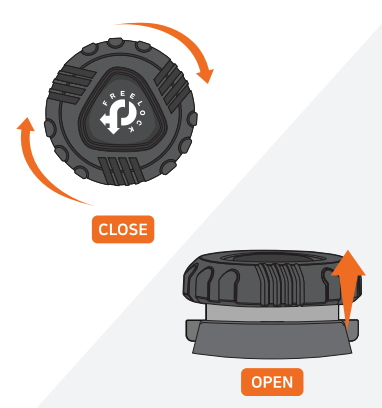
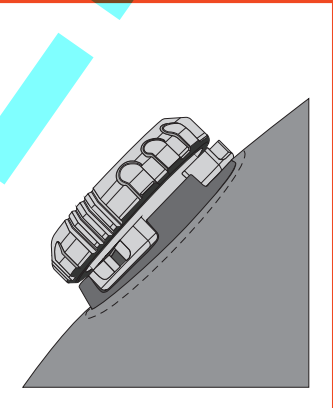
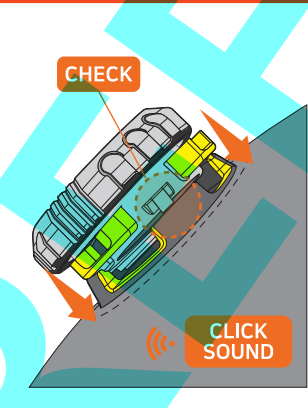
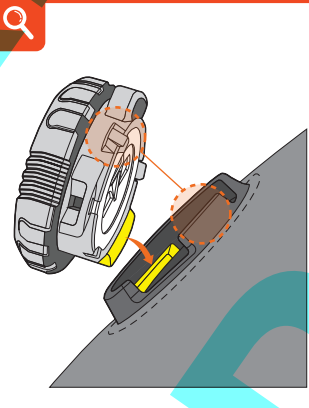
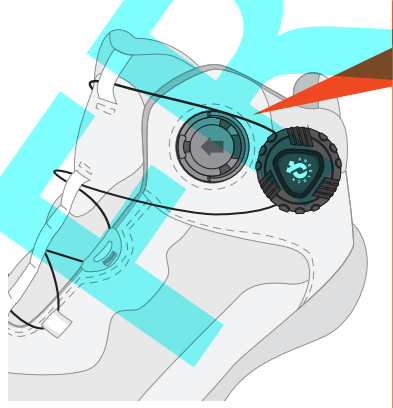
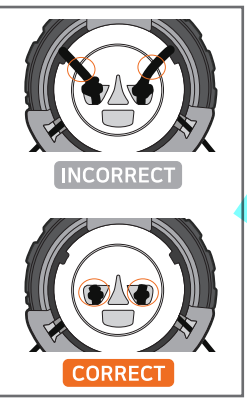
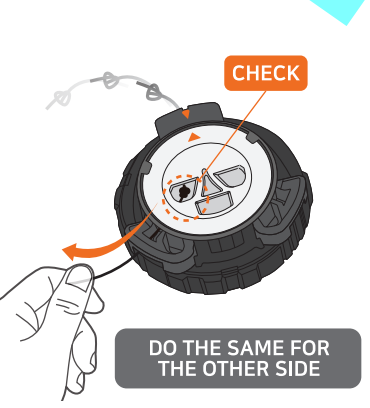
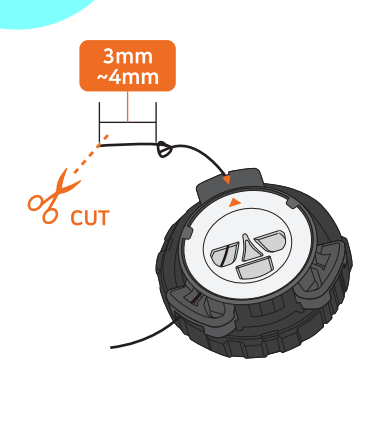
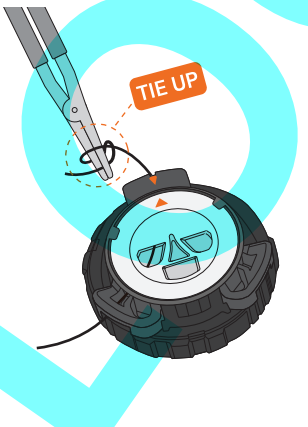
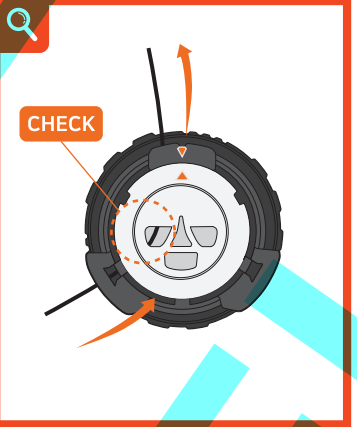
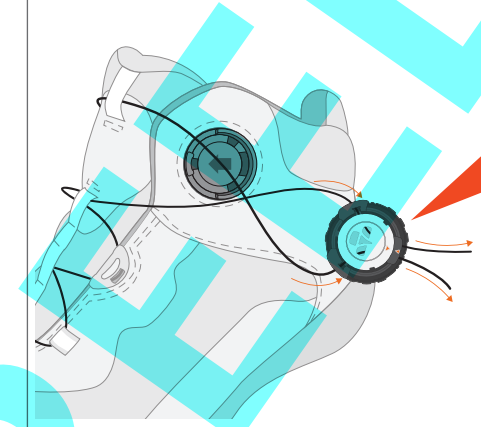
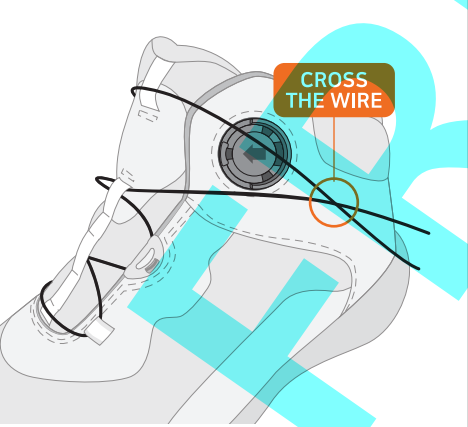
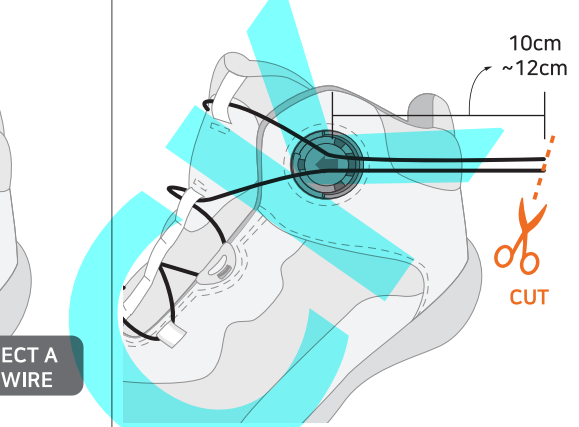
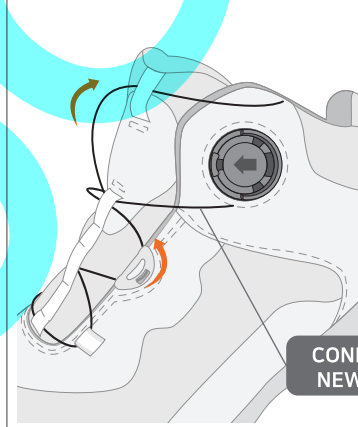
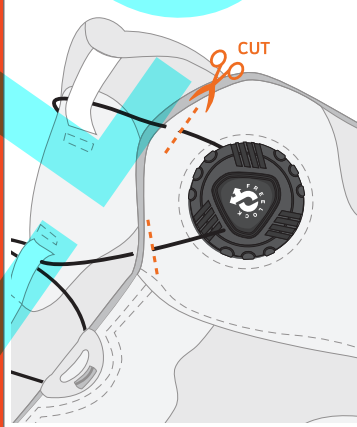
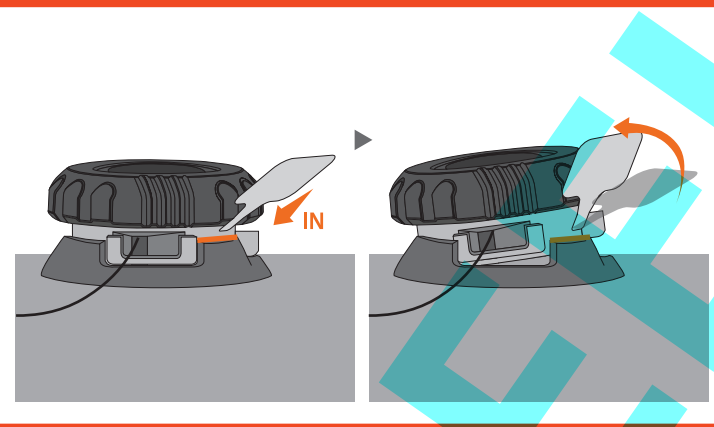
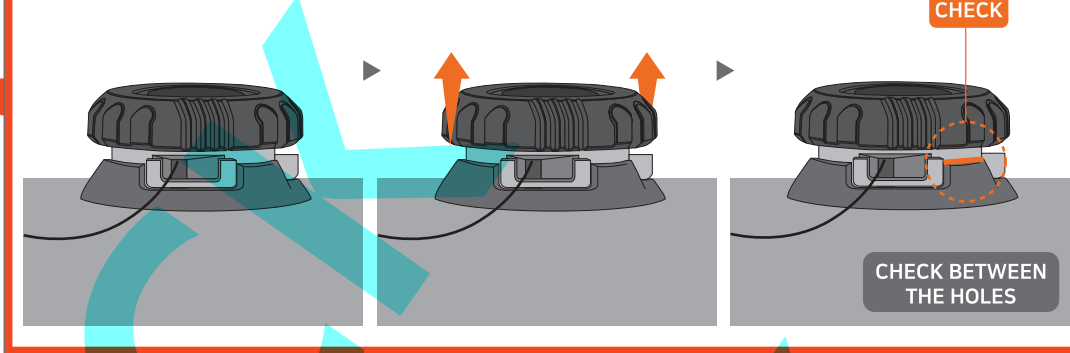
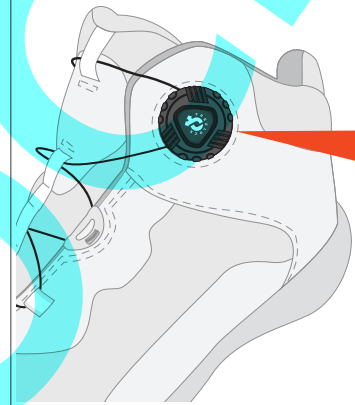
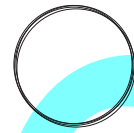
MP version

EYESTAY POSITION

Contact Information

TEL +82-51-710-3772
FAX +82-51-714-3882
Email export@skcni.net

CONTENTS





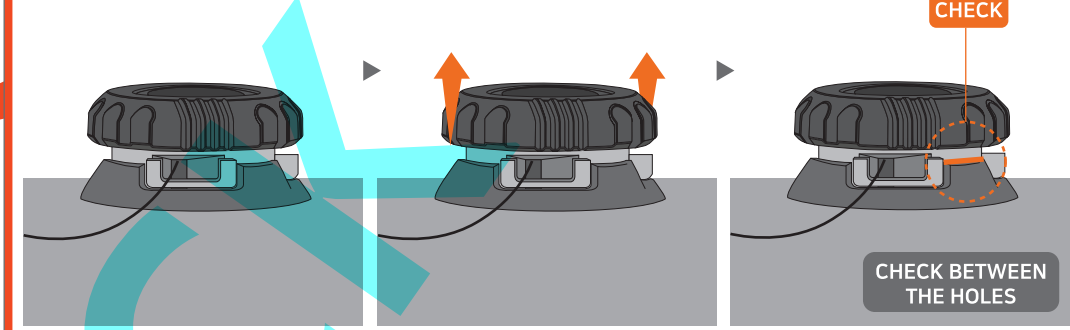
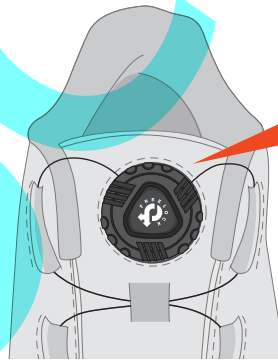
MP version

TONGUE POSITION

Contact Information

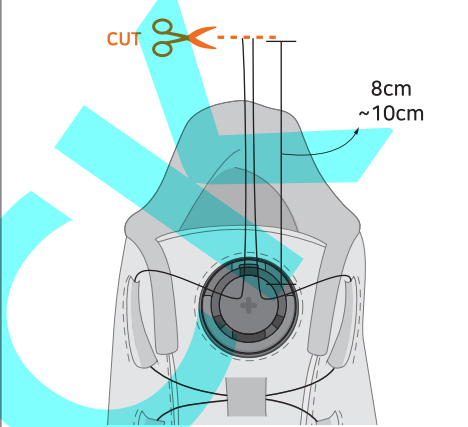
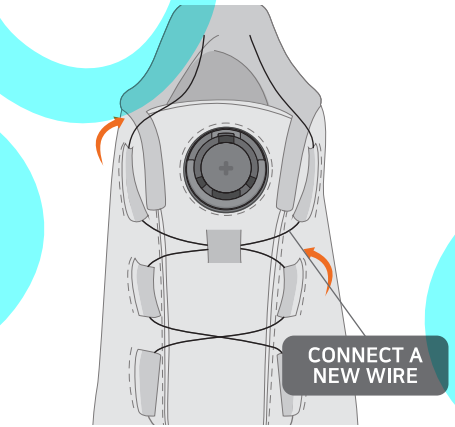
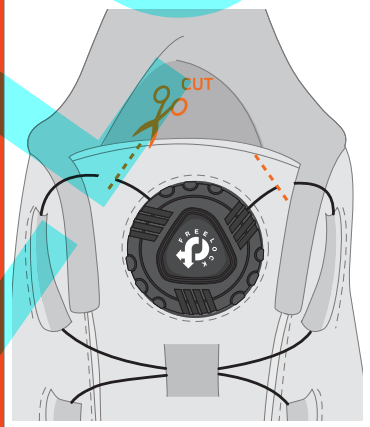
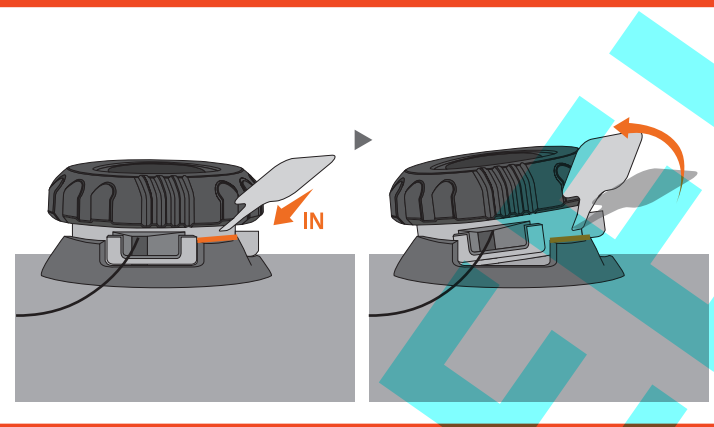
TEL +82-51-710-3772
FAX +82-51-714-3882
Email export@skcni.net

CONTENTS



CHECK

CHECK BETWEEN THE HOLES



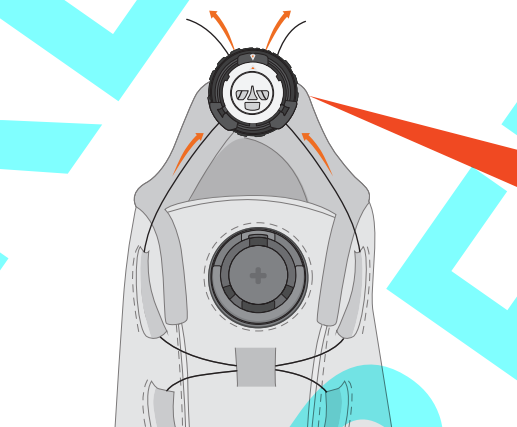
CUT

8cm ~10cm

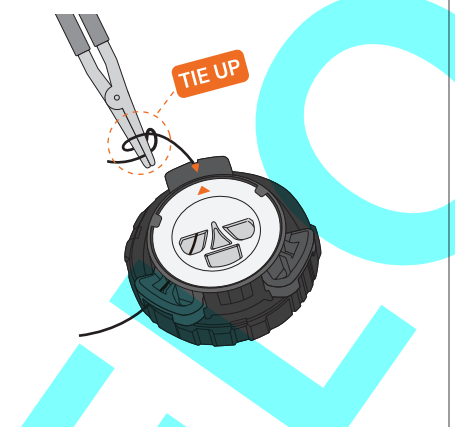
CONNECT A NEW WIRE



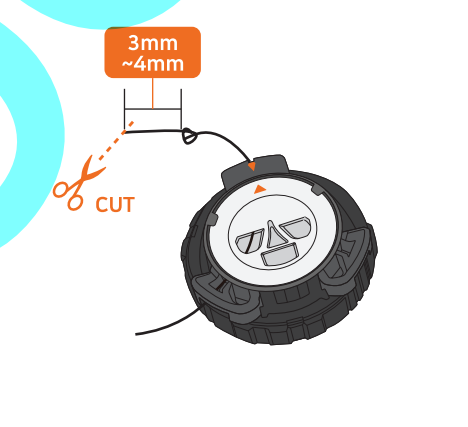
CHECK



CHECK

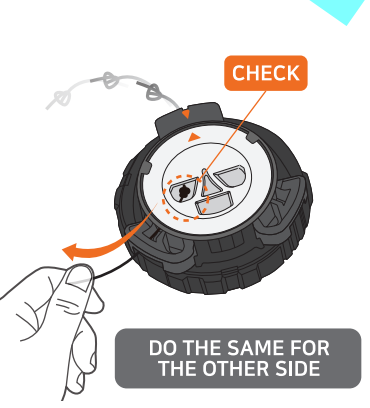


TIE UP



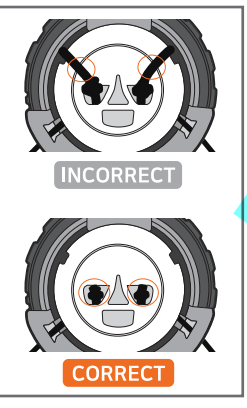
3mm ~4mm

CUT



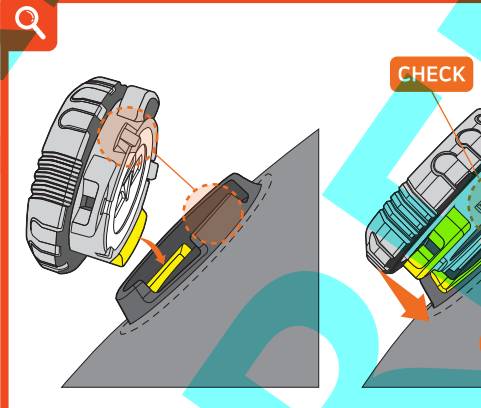
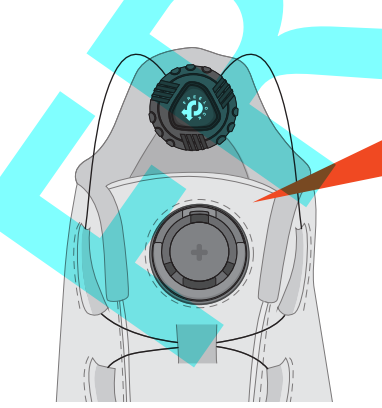
CHECK

DO THE SAME FOR THE OTHER SIDE



INCORRECT

CORRECT



CHECK

CLICK SOUND



CLOSE

OPEN